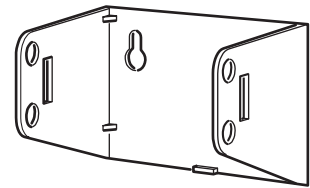
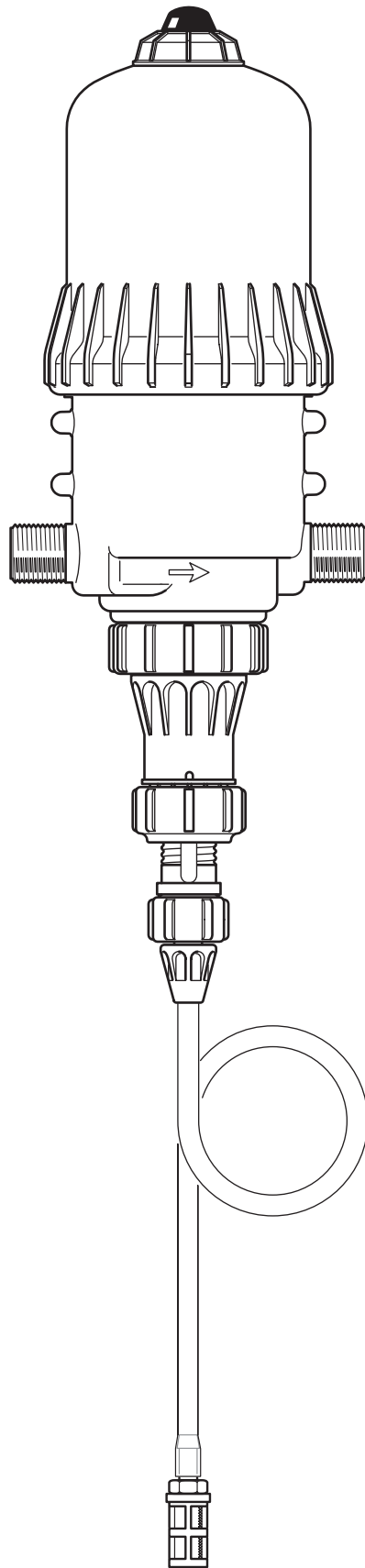


DI16

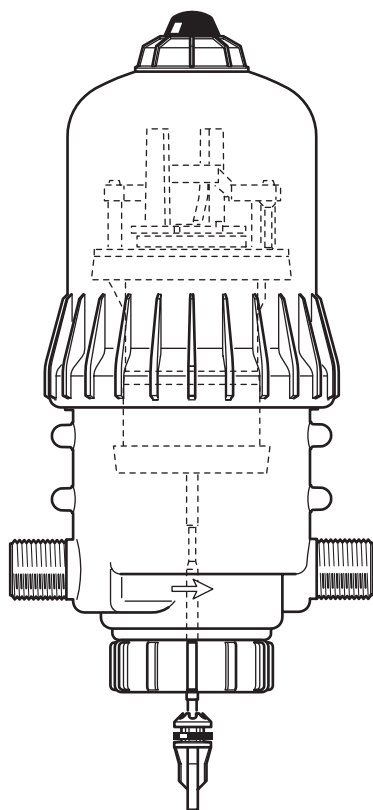
2.5 m³/h - 0.2 - 1.6%
11 GPM - 1:500 - 1:64
0.3 - 6 bar
4.3 - 85 psi



DI16

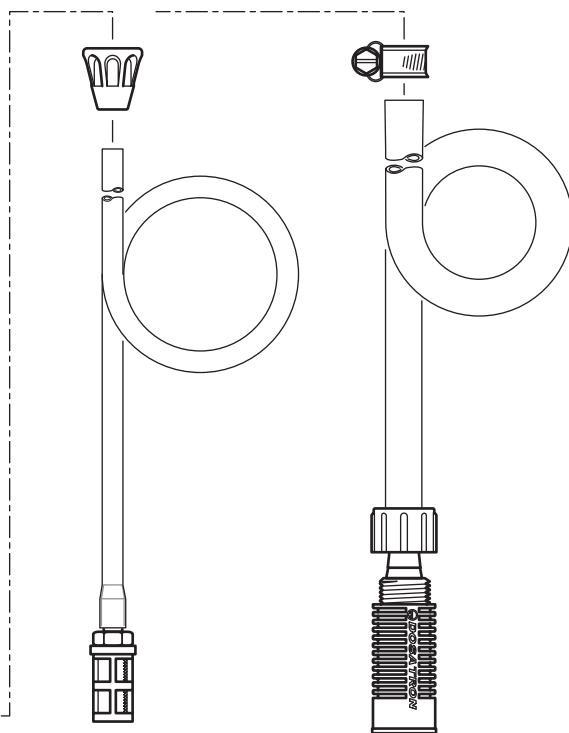
2.5 m³/h - 0.2 - 1.6%
11 GPM - 1:500 - 1:64
0.3 - 6 bar
4.3 - 85 psi

C+M

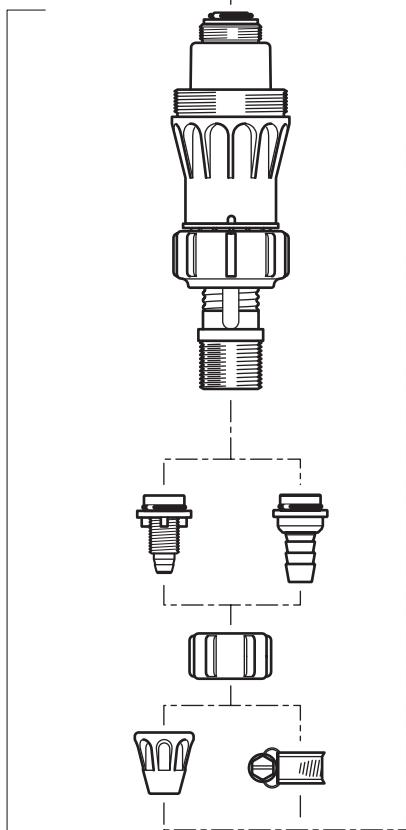


A

Option "V"

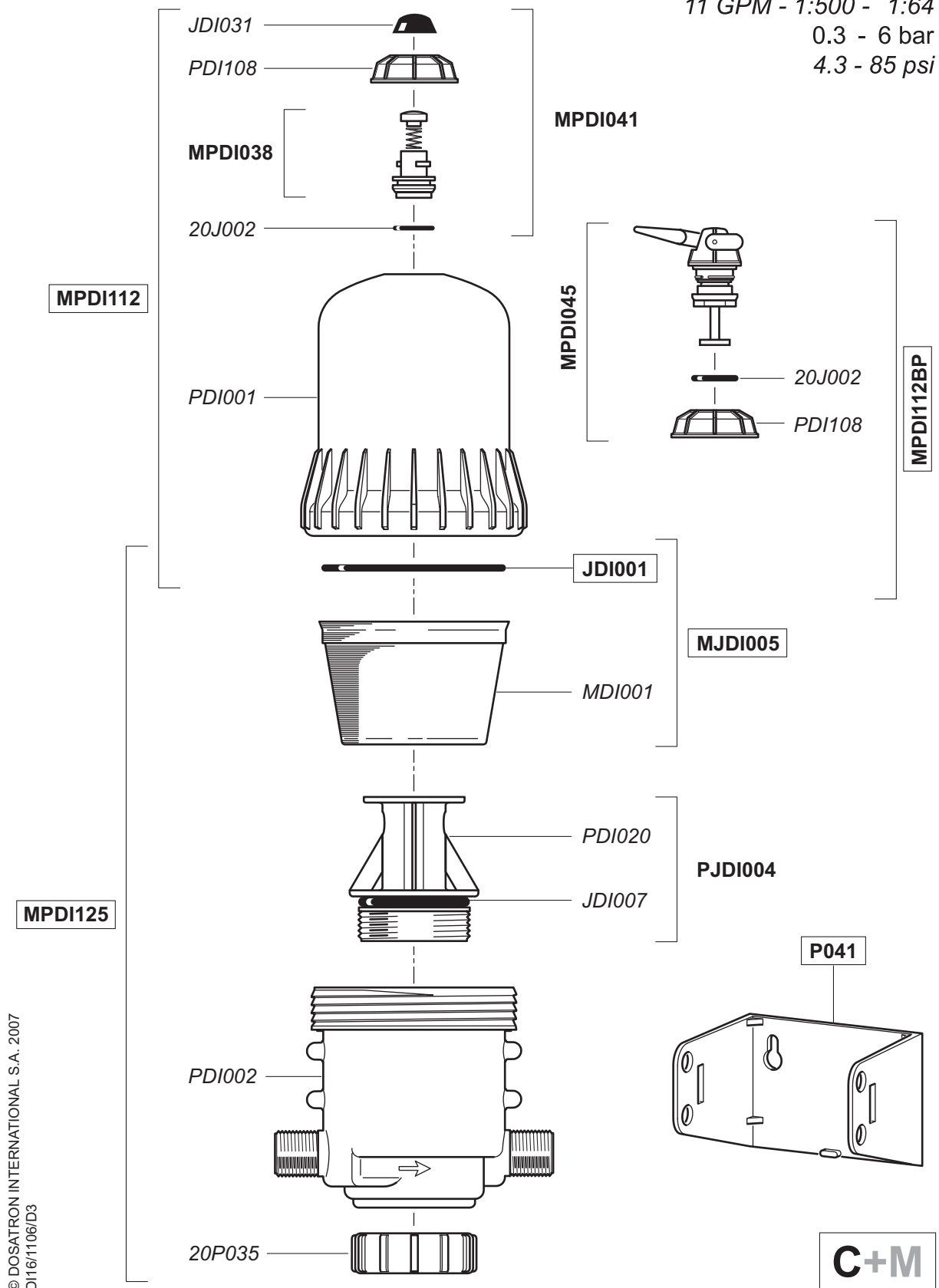


D



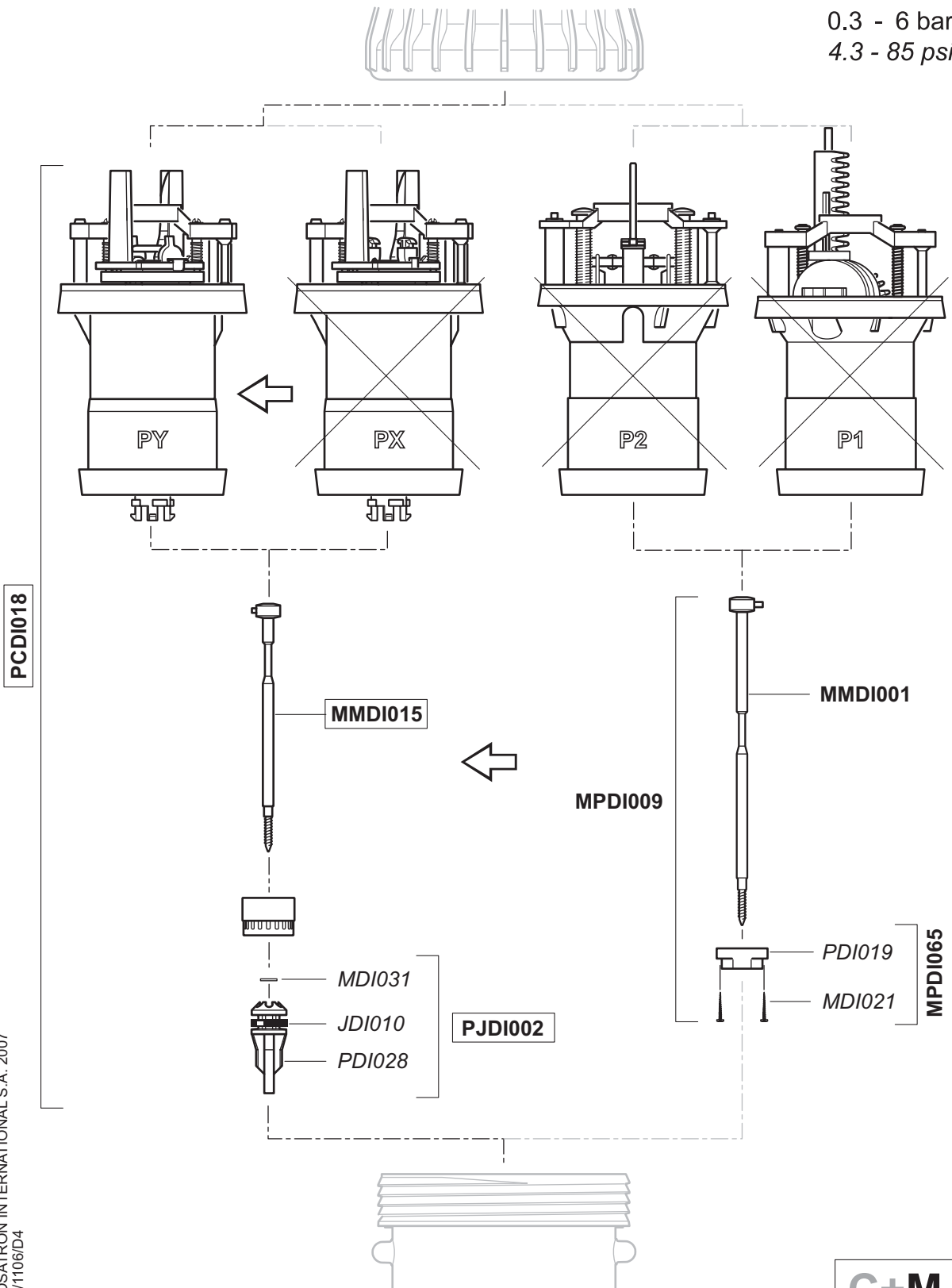
DI16

2.5 m³/h - 0.2 - 1.6%
 11 GPM - 1:500 - 1:64
 0.3 - 6 bar
 4.3 - 85 psi



DI16

2.5 m³/h - 0.2 - 1.6%
11 GPM - 1:500 - 1:64
0.3 - 6 bar
4.3 - 85 psi

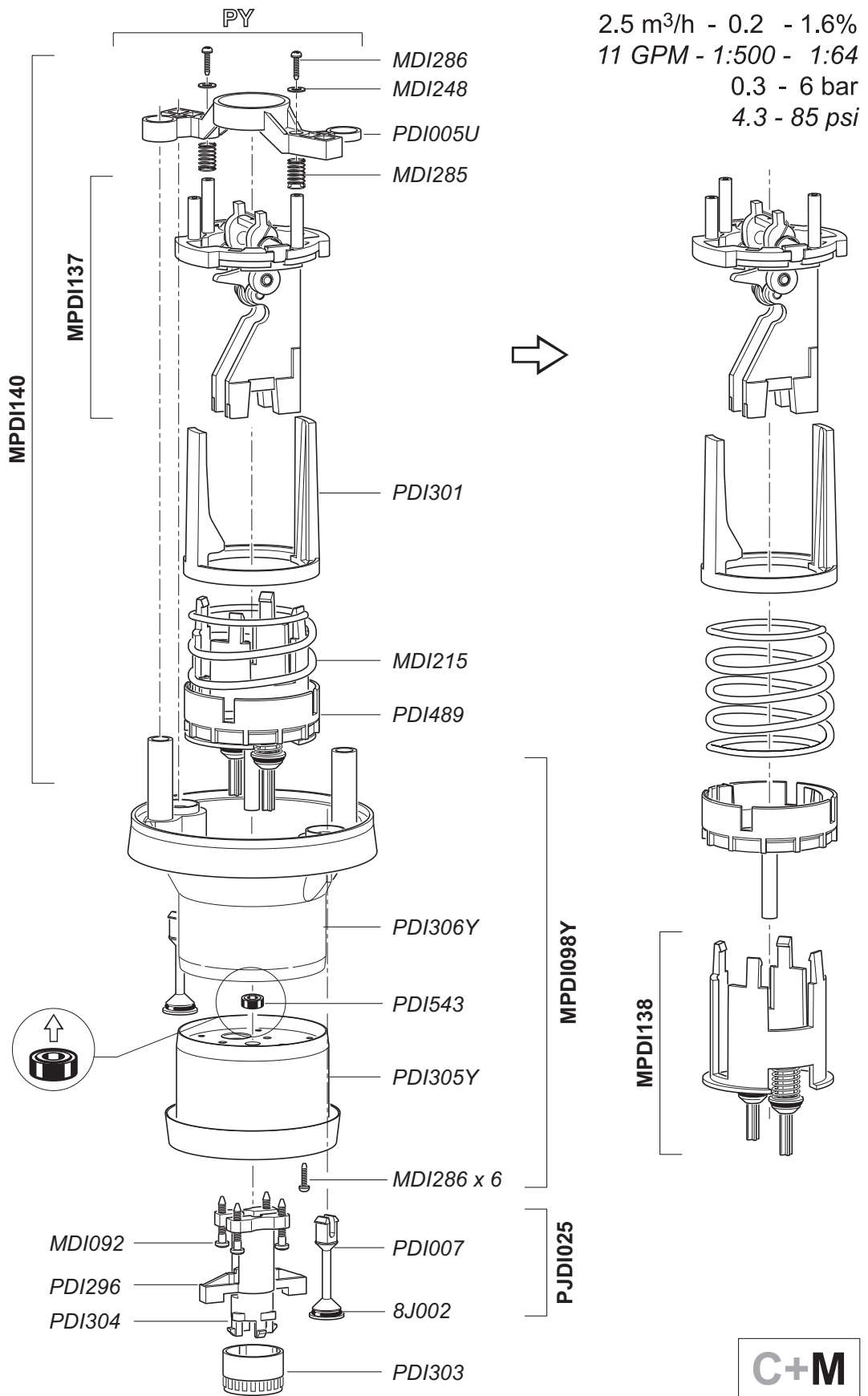


DI16

PCDI021E

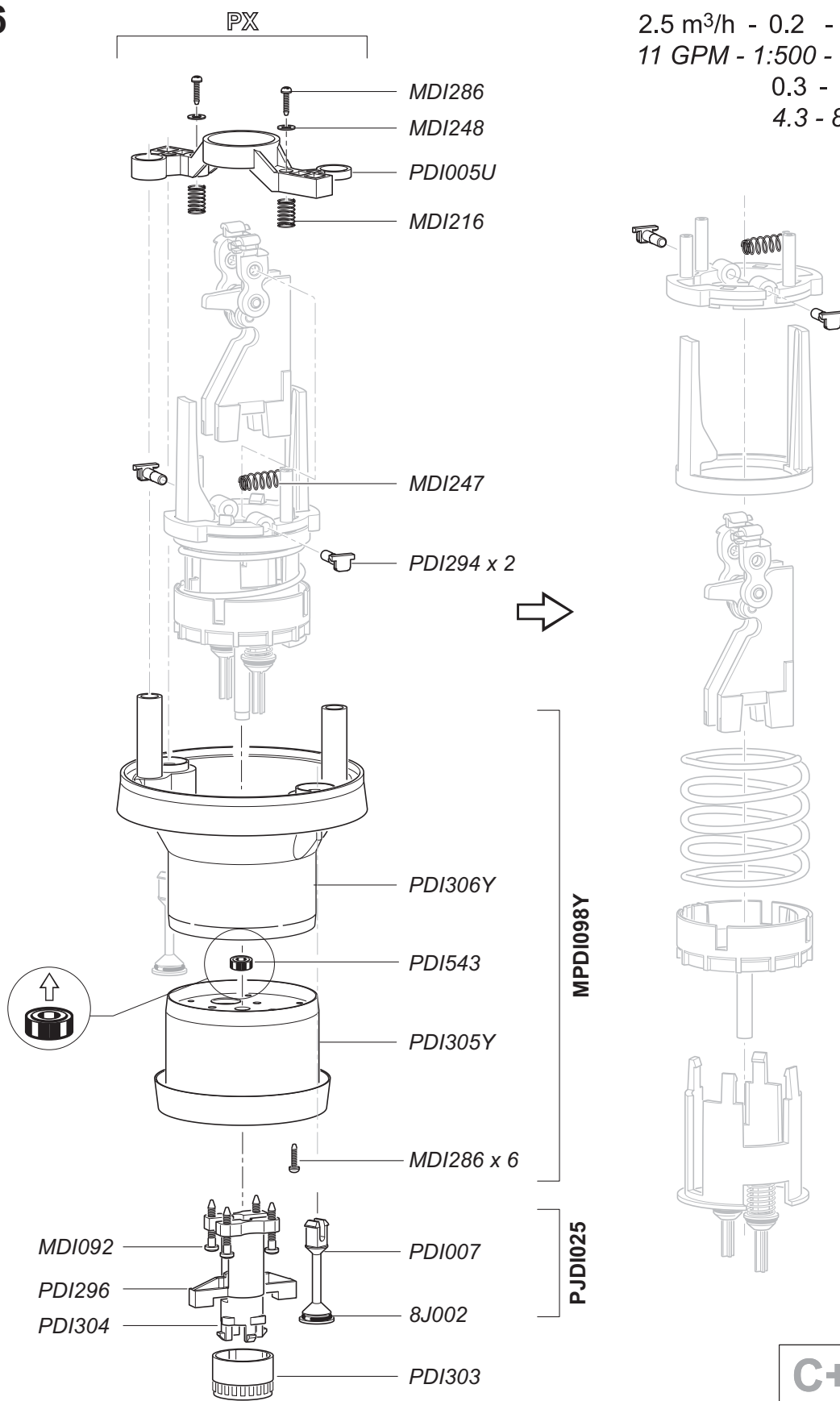
PCDI021

© DOSATRON INTERNATIONAL S.A. 2007
DI16/1106/D5

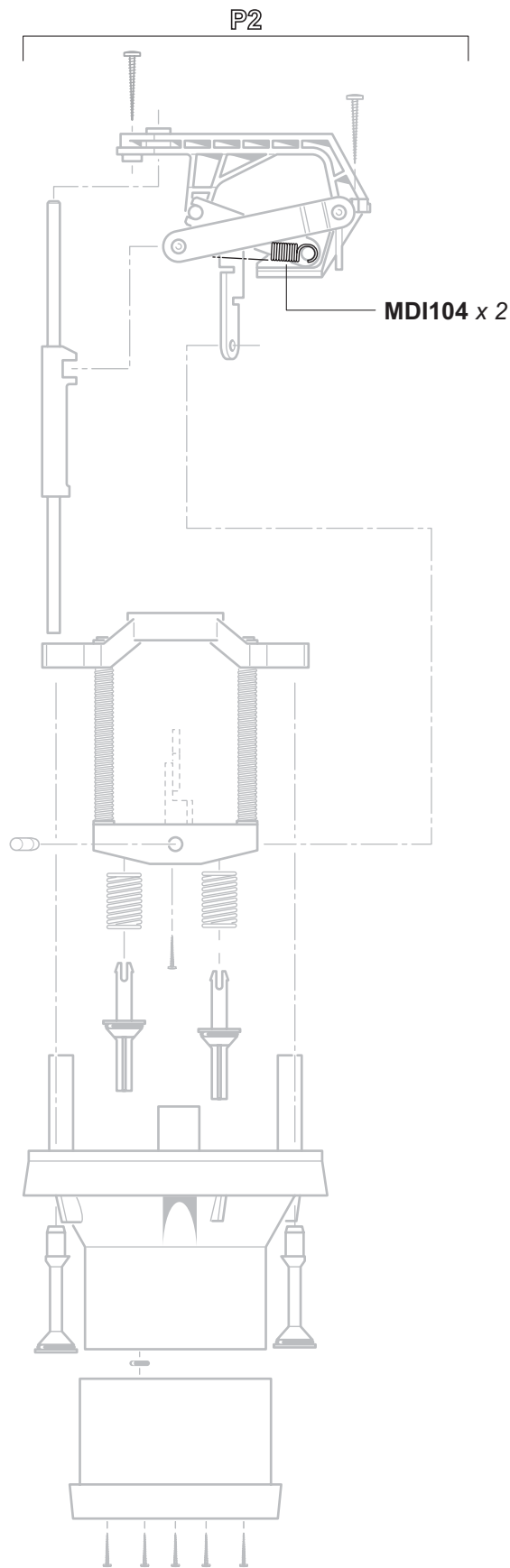


DI16

2.5 m³/h - 0.2 - 1.6%
 11 GPM - 1:500 - 1:64
 0.3 - 6 bar
 4.3 - 85 psi



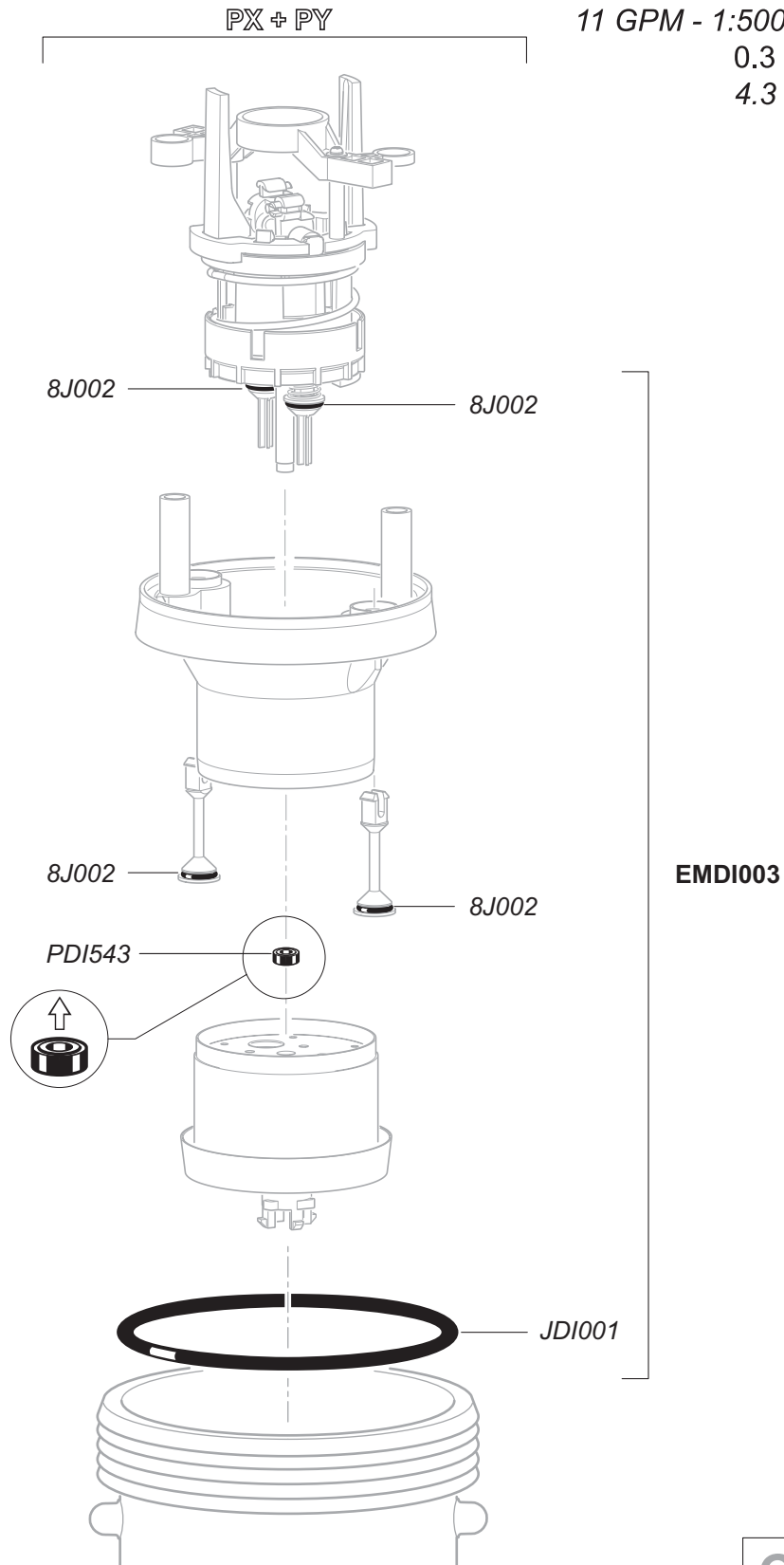
DI16



2.5 m³/h - 0.2 - 1.6%
11 GPM - 1:500 - 1:64
0.3 - 6 bar
4.3 - 85 psi

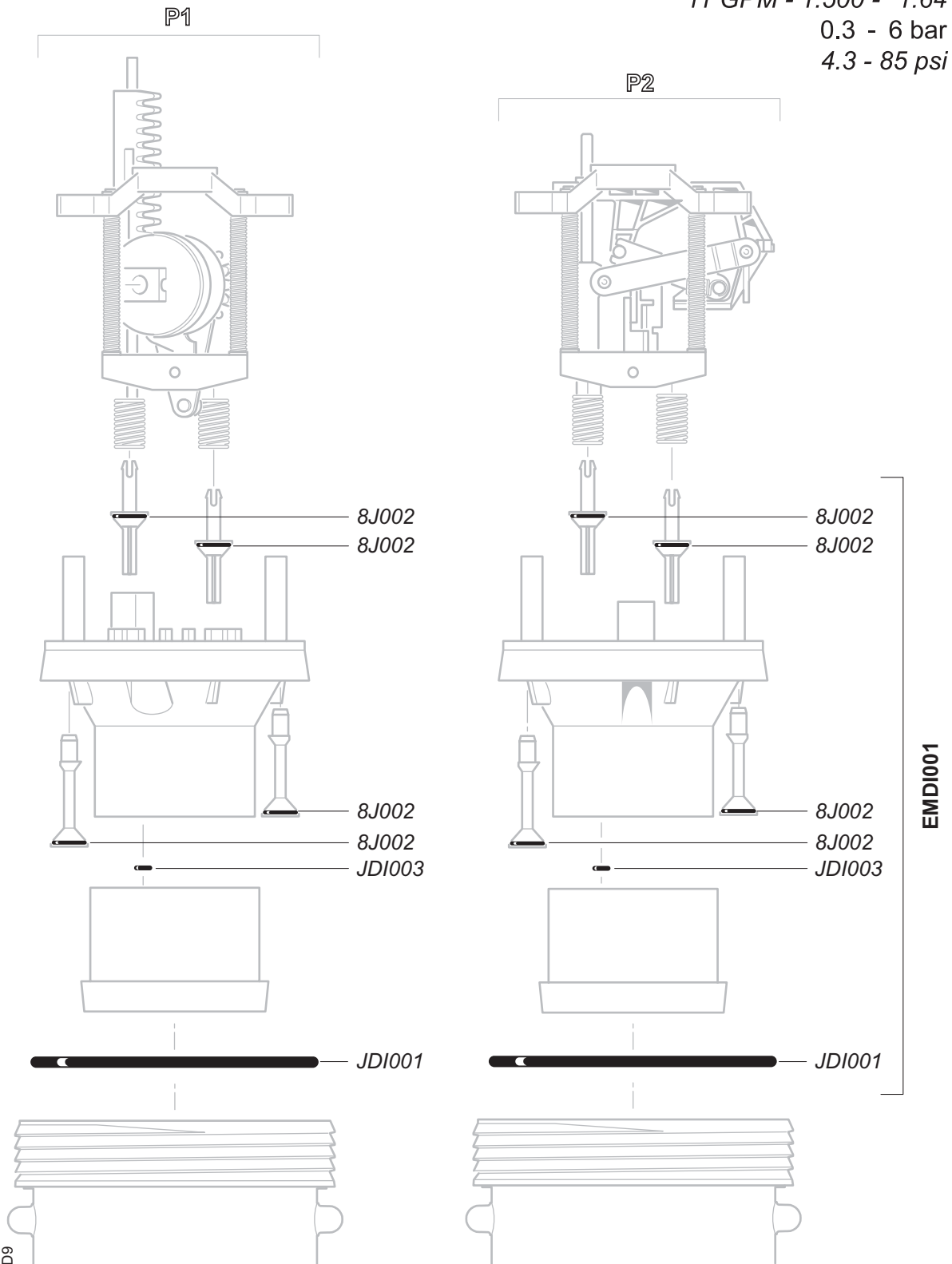
DI16

2.5 m³/h - 0.2 - 1.6%
11 GPM - 1:500 - 1:64
0.3 - 6 bar
4.3 - 85 psi



DI16

2.5 m³/h - 0.2 - 1.6%
11 GPM - 1:500 - 1:64
0.3 - 6 bar
4.3 - 85 psi

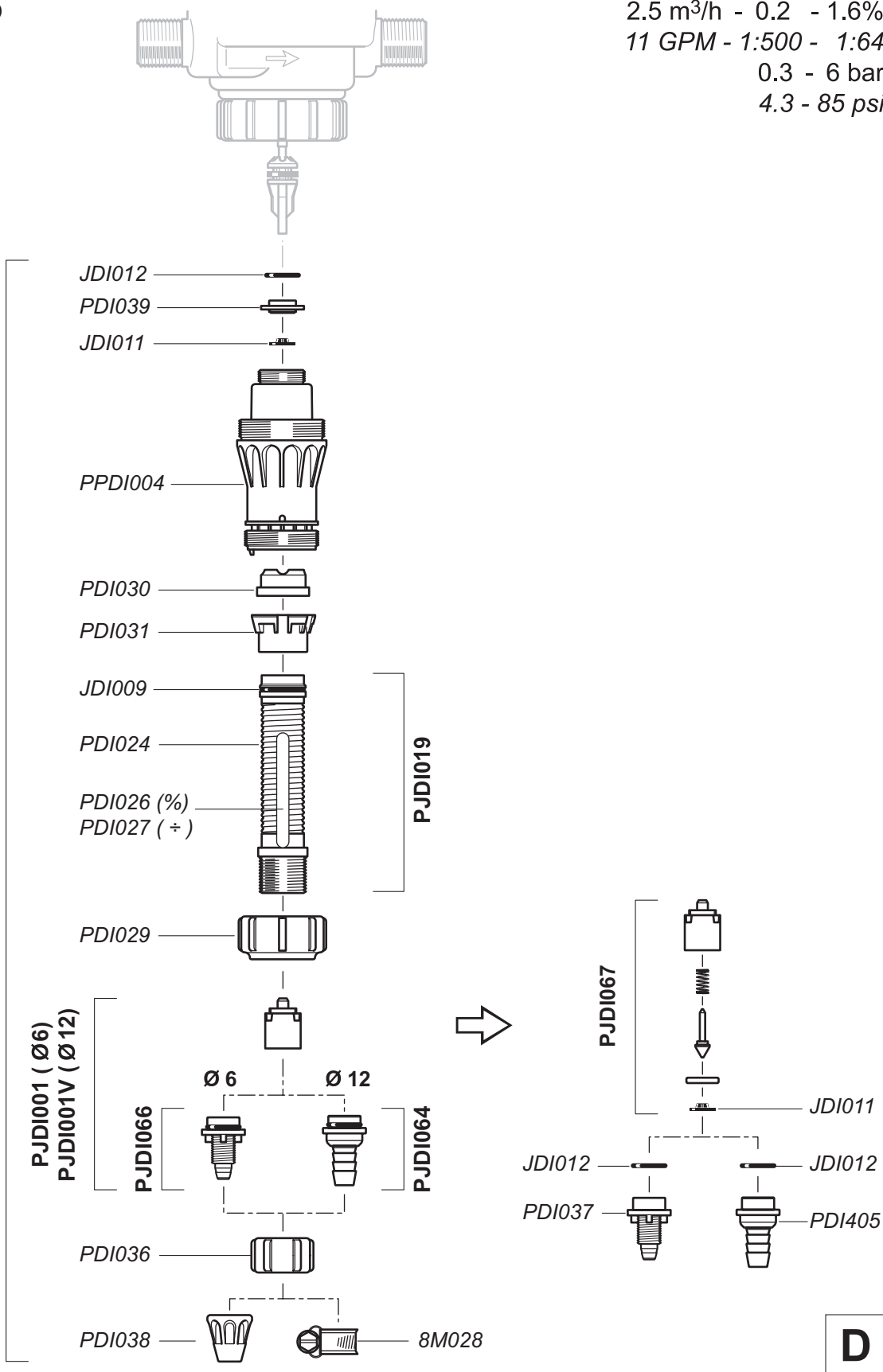


DI16

2.5 m³/h - 0.2 - 1.6%
 11 GPM - 1:500 - 1:64
 0.3 - 6 bar
 4.3 - 85 psi

© DOSATRON INTERNATIONAL S.A. 2007
 DI16/1106/D10

CDDI053 (Ø 6)
 CDDI053V (Ø 12)

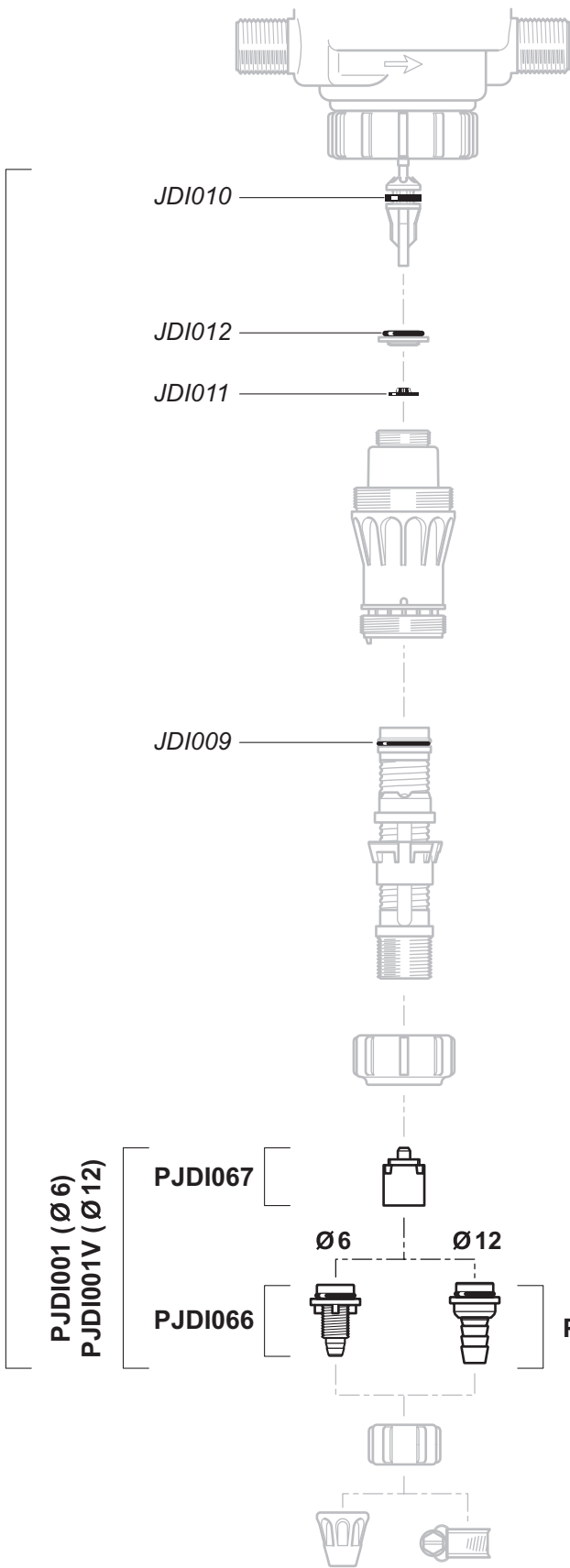


D

DI16

2.5 m³/h - 0.2 - 1.6%
 11 GPM - 1:500 - 1:64
 0.3 - 6 bar
 4.3 - 85 psi

PJDI075 (Ø6)
 PJDI075V (Ø12)



DI16

2.5 m³/h - 0.2 - 1.6%
11 GPM - 1:500 - 1:64
0.3 - 6 bar
4.3 - 85 psi

